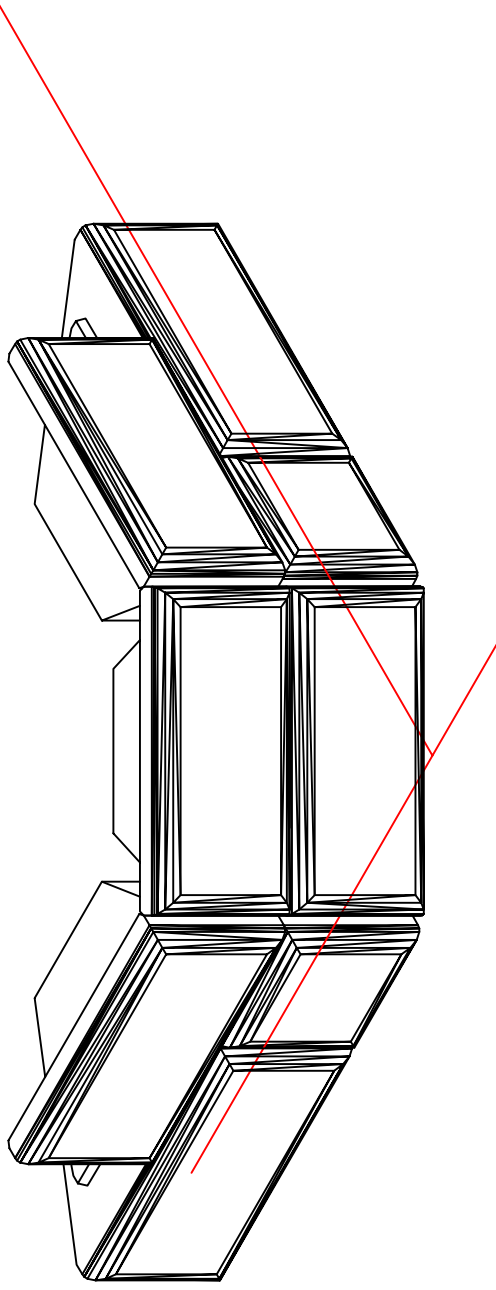


PRE-CAST CONCRETE STONETERRA SYSTEM  
ALTERNATE OUTSIDE 90° CORNER



Y:\stoneterra website files\stoneterra logo.png

815 N.E. 172nd Ave.  
VANCOUVER, WA 98684  
800-377-3877 PH  
360-694-0281 FAX

TITLE: ALTERNATE OUTSIDE 90° CRN DRAWN BY: AMD DATE: 04/07/09 SHEET #: 7  
SCALE: NTS

Not for construction unless  
reviewed by structural engineer.