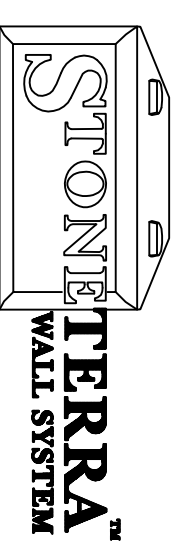
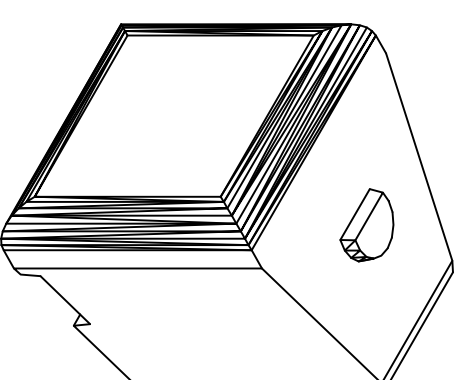


Specs:
2' x 2' x 2' Face
905 lbs



815 N.E. 172nd Ave.
 VANCOUVER, WA 98684
 800-377-3877 PH
 360-694-0281 FAX

TITLE: Stoneterra -Half Block

DRAWN BY: MLS

DATE: n/a
 SCALE: NTS

SHEET #: ST-101